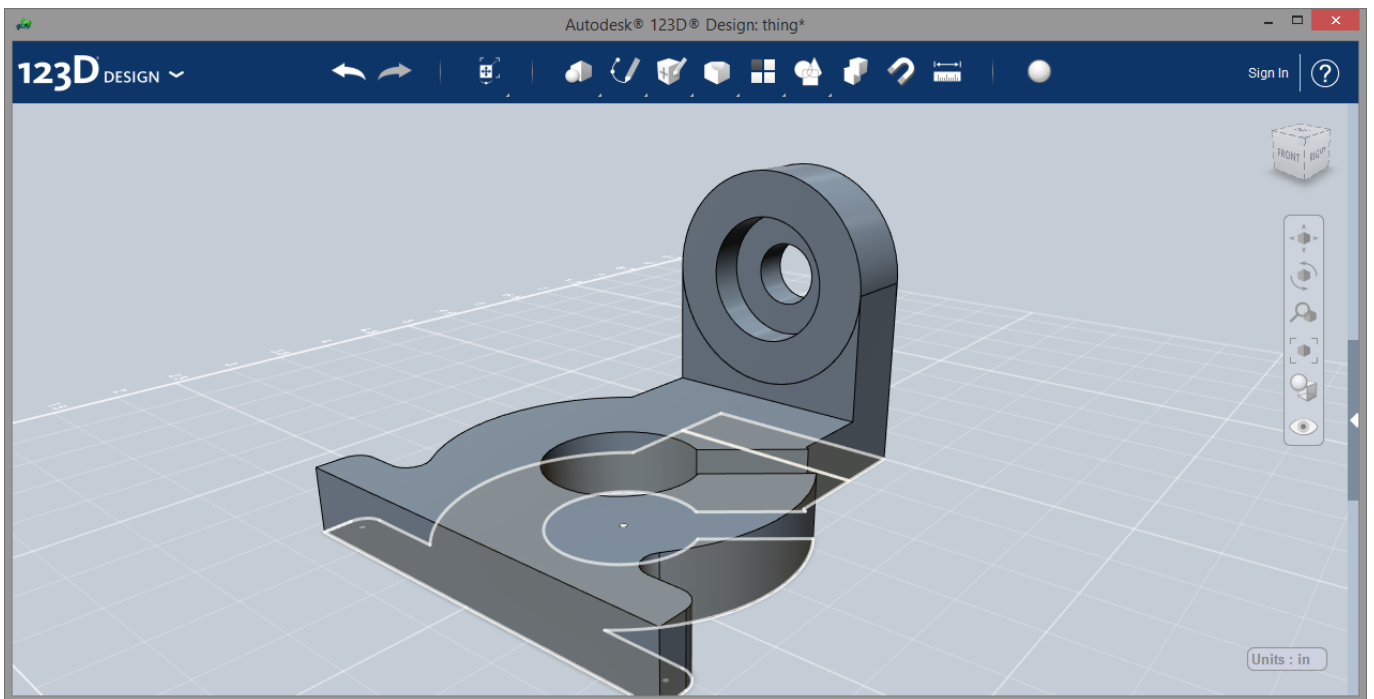

DOWNLOAD

[Autodesk 123d Design Download Mac](#)



[Autodesk 123d Design Download Mac](#)

DOWNLOAD

123D Design for Mac, free and safe download Finding document inspector on word for mac 2016.. 123D Design for Mac, free and safe download Finding document inspector on word for mac 2016.

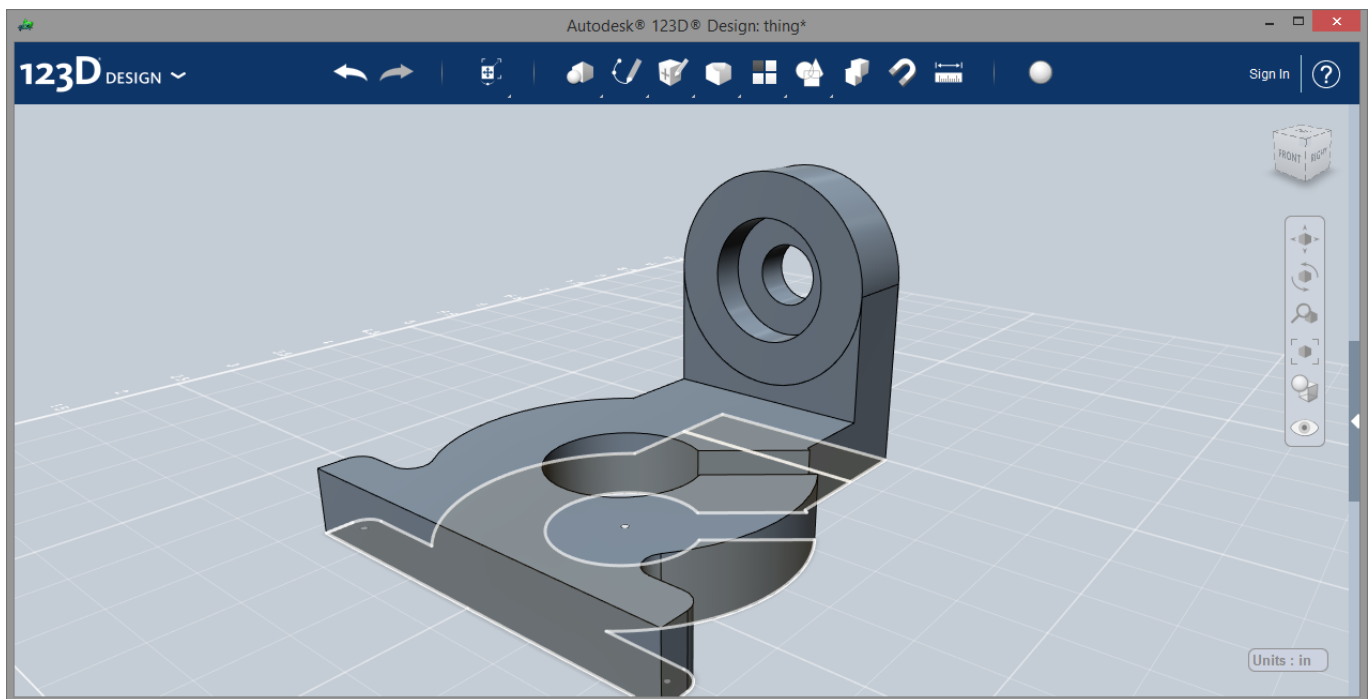
1. [autodesk design review](#)
2. [autodesk design academy](#)
3. [autodesk design review 2020](#)

123D Design latest version: A free program for mac, by Autodesk 123D Design is a free Mac software, being part of the category 'Multimedia' and the subcategory.. Download 123D Design 2 2 1 for Mac from our website for free The latest version of the program is supported on Mac OS X 10.. * Easily connect one shape to another to make more detailed creations Objects snap naturally to the centers of faces.. Autodesk 123d Design Download Mac FreeFree Autodesk 123d SoftwareTrusted Mac download 123D Design 2.. Cloud-based 3D CAD/CAM/CAE software for product design 3D animation, modeling, simulation, and rendering software for film, games, and TV.

autodesk design review

autodesk design, autodesk design review, autodesk design software, autodesk design review download, autodesk design suite, autodesk design academy, autodesk design review for mac, autodesk design suite 2021, autodesk design review tutorial, autodesk design assistant, autodesk design review 2020, autodesk design review vs trueview, autodesk design center [Cheapest Iphone 5s Unlock Service](#)

123D Design and 123D Make were deprecated and users directed to use Fusion360 This app, named 'Slicer', is not what is known as a slicer in 3D printing - it's 123D Make's functionality - which is sent to CNC or paper printer.. 123D Design and 123D Make were deprecated and users directed to use Fusion360 This app, named 'Slicer', is not what is known as a slicer in 3D printing - it's 123D Make's functionality - which is sent to CNC or paper printer. [Lost Saga Akatsuki Vorlage](#)



[تحميل برنامج فايبر للكمبيوتر ويندوز Xp ديب فريز لوبندوز](#)

autodesk design academy

[Itune Download For Mac](#)

Autodesk 123D apps Autodesk is no longer offering 123D 123D Design: try these products instead Cloud-based 3D CAD/CAM/CAE software for product design. [Drop Spoil Патч Для Lineage2 C4](#)

autodesk design review 2020

[Mac Games Best 2017](#)

Listen audiobook player Create amazing 3D printable designs, right on your iPad! With Autodesk 123D Design you can make your own products, parts, or creations.. 7 or later The latest version of the program is supported on Mac OS X 10 7 or later.. Try Fusion 360 for free Get full use of Fusion 360 with a 30-day free trial by sending yourself a link to download on a Mac or PC.. What you design is up to you How it works * Get started by choosing one of the basic shapes and then edit it to be just what you want.. 123D Design latest version: A free program for mac, by Autodesk 123D Design is a free Mac software, being part of the category 'Multimedia ' and the subcategory.. Try Fusion 360 for free Get full use of Fusion 360 with a 30-day free trial by sending yourself a link to download on a Mac or PC.. Download 123D Design 2 2 1 for Mac from our website for free The latest version of the program is supported on Mac OS X 10. 34bbb28f04 [e designer software mitsubishi free download](#)

34bbb28f04

[How To Download Photo Story 3 For Mac](#)